

PRODUCT INFORMATION PACKET

Model No: 5KH46MN3021X
Catalog No: HG155
1/8,850,DP,56,1/60/115
Fan and Blower



Regal and Marathon are trademarks of Regal Beloit Corporation or one of its affiliated companies.
©2018 Regal Beloit Corporation, All Rights Reserved. MC017097E

Product Information Packet: Model No: 5KH46MN3021X, Catalog No:HG155 1/8,850,DP,56,1/60/115

Nameplate Specifications

Output HP	1/8 Hp	Output KW	0.10 kW
Frequency	60 Hz	Voltage	115 V
Current	4.6 A	Speed	850 rpm
Service Factor	1.4	Phase	1
Efficiency	40 %	Duty	Continuous
Insulation Class	B	Design Code	-
KVA Code	S	Frame	56
Enclosure	Drip Proof	Overload Protector	AUTO
Ambient Temperature	40 °C	Drive End Bearing Size	6203
Opp Drive End Bearing Size	6203	UL	Recognized
CSA	Yes	CE	N

Technical Specifications

Electrical Type	Split Phase	Starting Method	SM
Poles	8	Rotation	Counterclockwise/Clockwise
Mounting	Resilient Base	Motor Orientation	ANY
Drive End Bearing	BALL	Opp Drive End Bearing	BALL
Frame Material	Rolled Steel	Overall Length	10.88 in
Frame Length	6.55 in	Shaft Diameter	0.63 in
Shaft Extension	1.88 in	Thru-bolts Extension	0
Outline Drawing	52A109511P2	Connection Diagram	52A105379AA

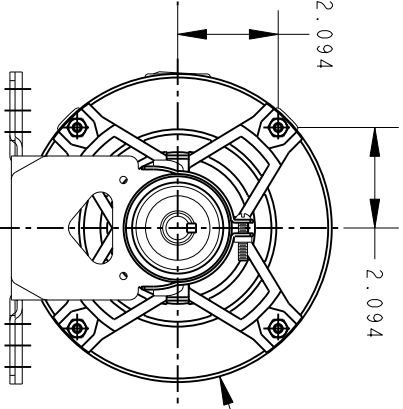
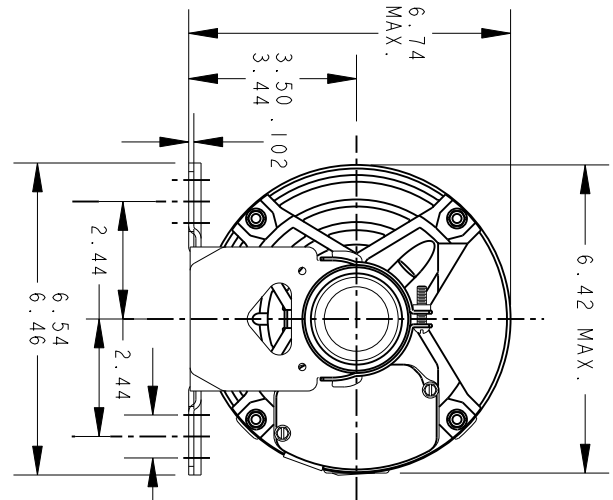
This is an uncontrolled document once printed or downloaded and is subject to change without notice. Date Created: 10/08/2018

THIRD ANGLE PROJECTION

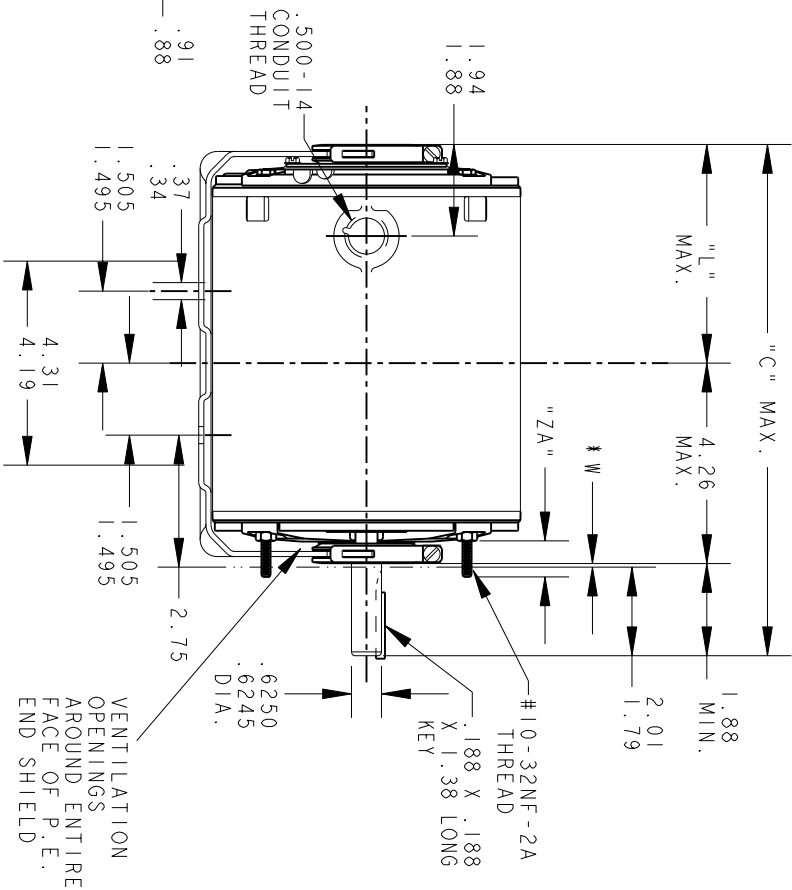


REVISIONS

REV.	DESCRIPTION	DATE	APPROVED
2	ADDED PART #4.	07/05/94	M.D. PAPE
3	CHG TO RBC FORMAT PER IS05-11777	03/16/06	SUDHA



VIEW OF P.E. END SHIELD



*W IS A VARIABLE CLEARANCE DUE TO VARIATIONS IN PARTS AND ASSEMBLY

VENTILATION OPENINGS AROUND ENTIRE FACE OF P.E. END SHIELD

4	3	2	1	P
KH/K	KH/K	KH/K	KH/K	TYPE
49	49	46	46	GE
56	56	56	56	SIZE
12.01	11.48	10.88	10.88	NEMA "C"
5.75	5.22	4.62	4.62	FR. "L"
.62	.62	.62	.62	"ZA"

ALL DIMENSIONS ARE IN INCHES



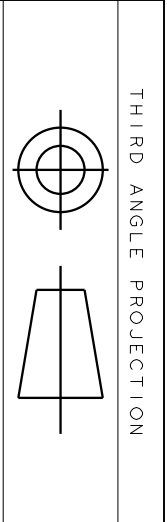
REGAL-BELOTT CORPORATION

OUTLINE

GENERAL PURPOSE MOTOR - DRIP PROOF - BALL BEARING - RESILIENT BASE EXTENDED CLAMP SCREWS FMF - 40 FRAME REDESIGN

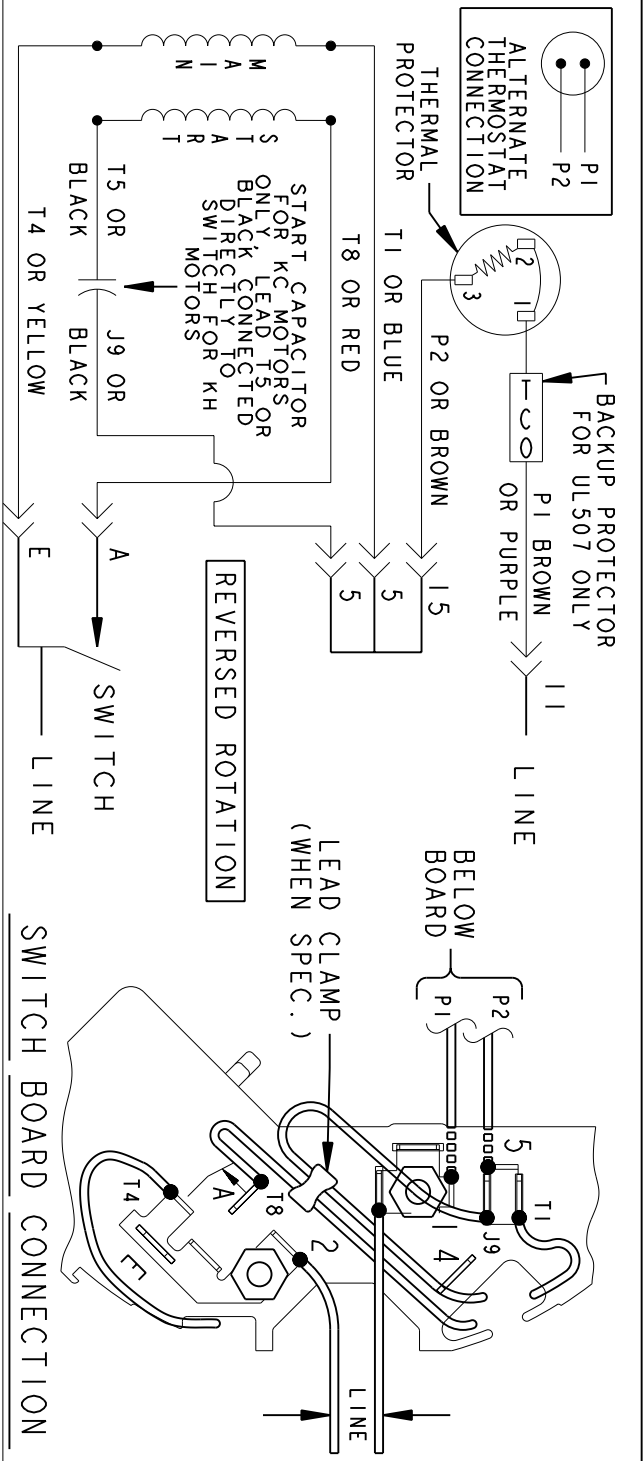
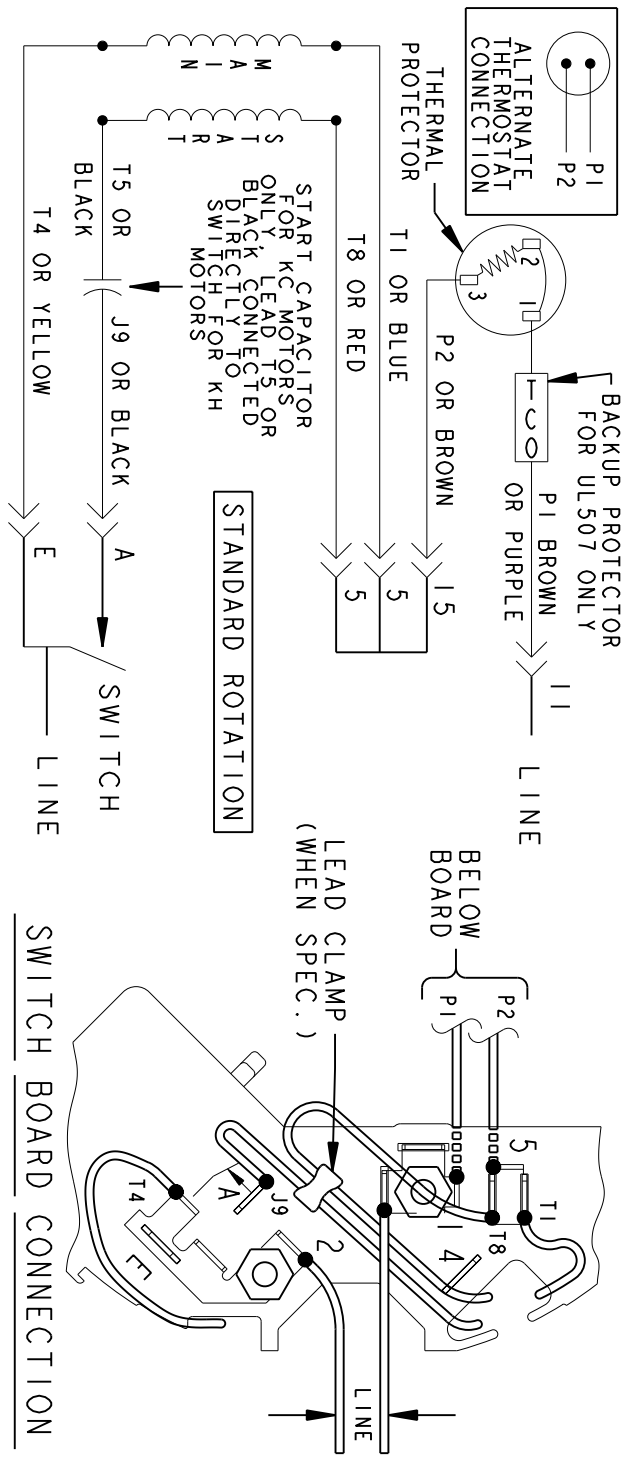
FOR ADDITIONAL INFO REFER TO:	MODEL	MA MARKS	DATE
APPLIED PRACTICES	DETAIL	CHECKED	ENGRG
DIMENSIONS ARE IN INCHES	ISSUED	QUALITY	M.F.G
MATERIAL	SOLID MODEL: 52A109511	ISSUED	M.A.M.
		ISSUED	03/29/94

SCALE: 0.250	REF. No.:	SHEET 1 of 1
SIZE: DRAWING A	REV 3	



REV.	DESCRIPTION	DATE	APPROVED
6	UPDATED FORMAT	12/01/05	MAM

EITHER ROTATION-SINGLE VOLTAGE-TYPE KC OR KH-WITH THERMAL PROTECTOR



NOTE #1 - TO REVERSE ROTATION INTERCHANGE RED (T8) AND BLACK (J9-KC OR T5-KH) LEADS.
 NOTE #2 - WHEN MORE THAN ONE CAPACITOR IS USED CONNECT IN PARALLEL.

SWITCH (C) - 115D958AB REF. DIAG. - 121A851 CONN. LABEL - 52X332048

SIGNATURES	DATE
MODEL M.D.PAPE	06/29/87
DETAIL	
CHECKED	
ENGRG	
MFG	
QUALITY	
ISSUED	M.D.P. 03/08/00
SOLID MODEL: 52A105379AA	

REGAL-BELOIT CORPORATION

REGAL-BELOIT

TITLE: **CONNECTION DIAGRAM**

SIZE: DRAWING A

SCALE: 1.000 REF. No.:

30 FR SWITCH REDESIGN

52A105379AA

REV 6